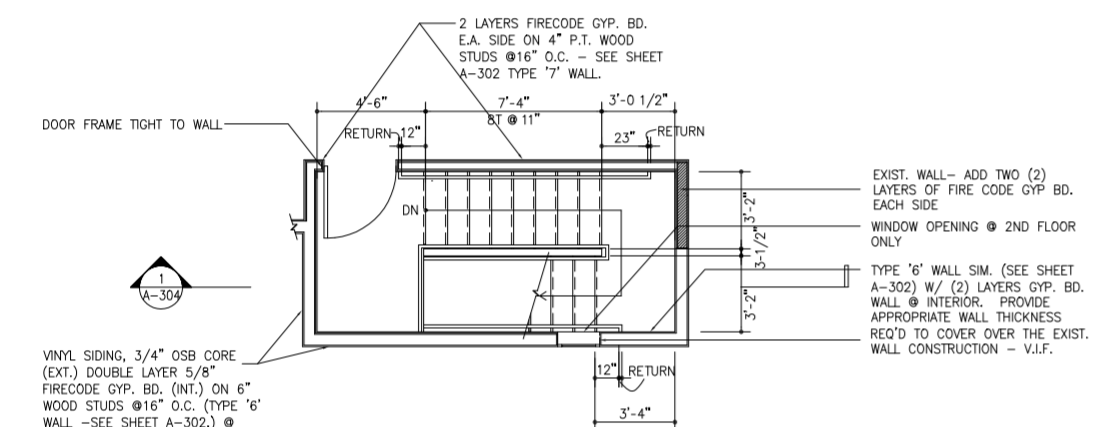
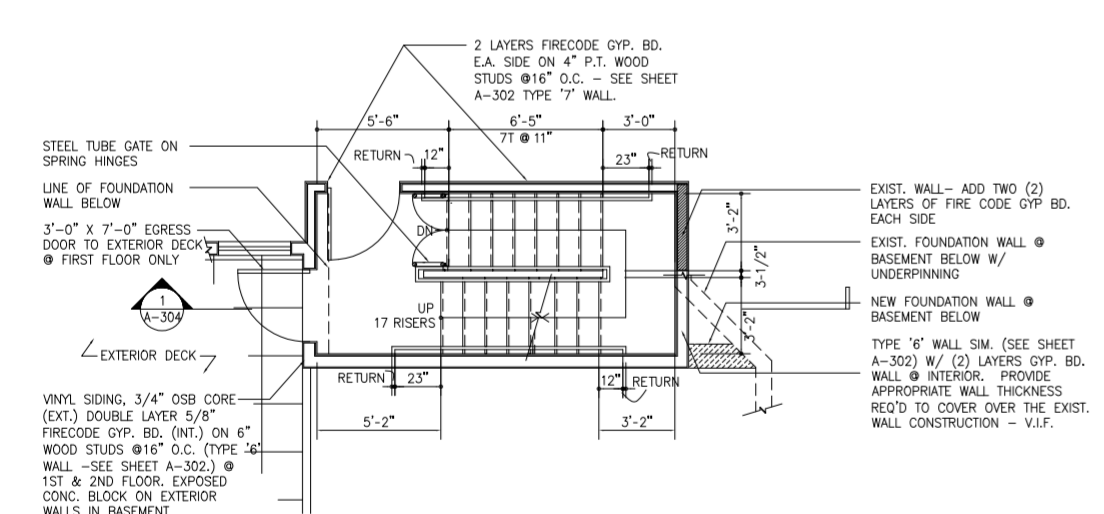


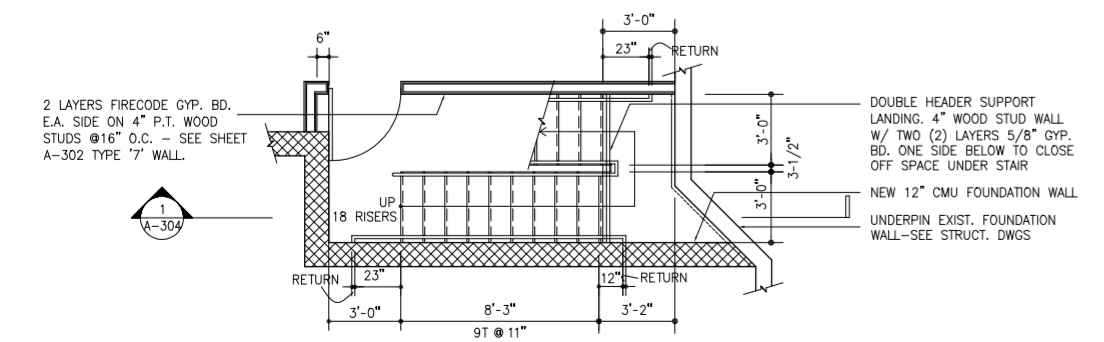
1 STAR SECTION
A-304 SCALE 1/4" = 1'-0"



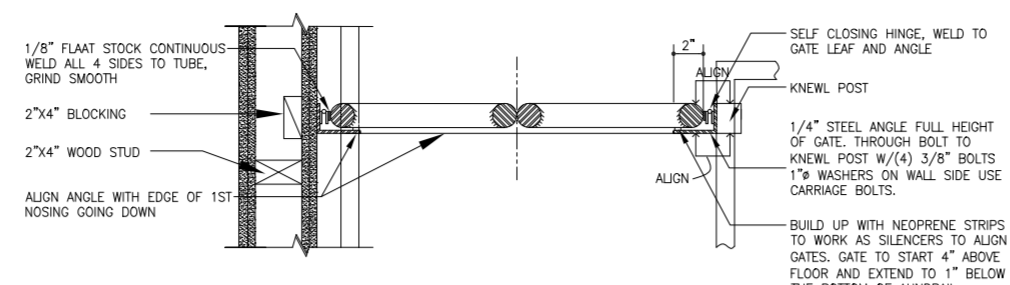
2 STAR 'B' @ 2ND FLOOR
A-304 SCALE 1/4" = 1'-0"



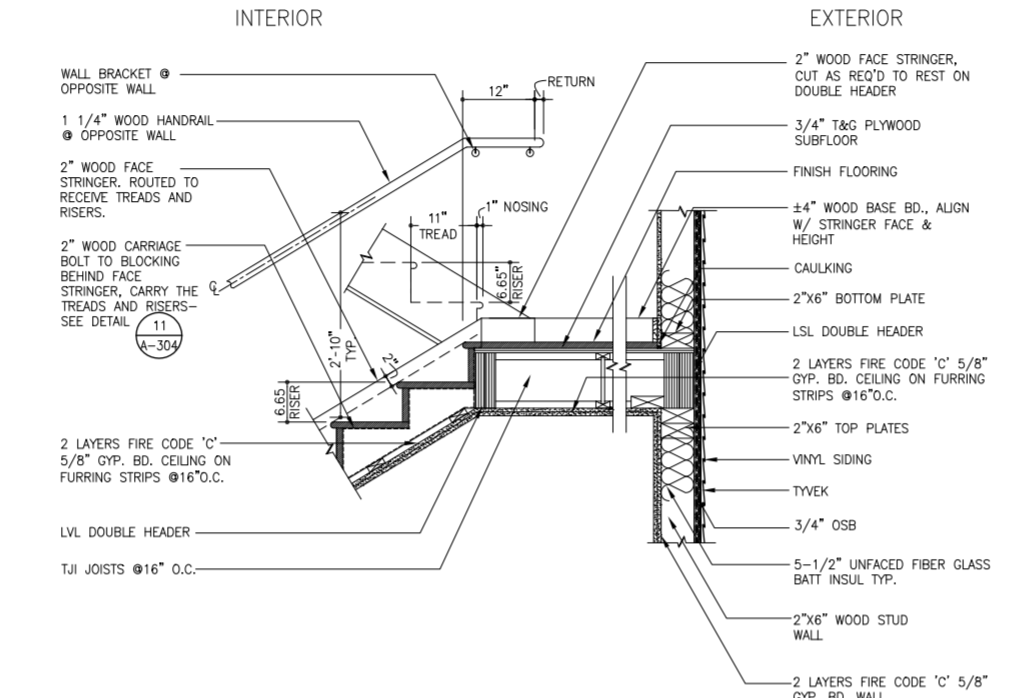
3 STAR 'B' @ 1ST FLOOR
A-304 SCALE 1/4" = 1'-0"



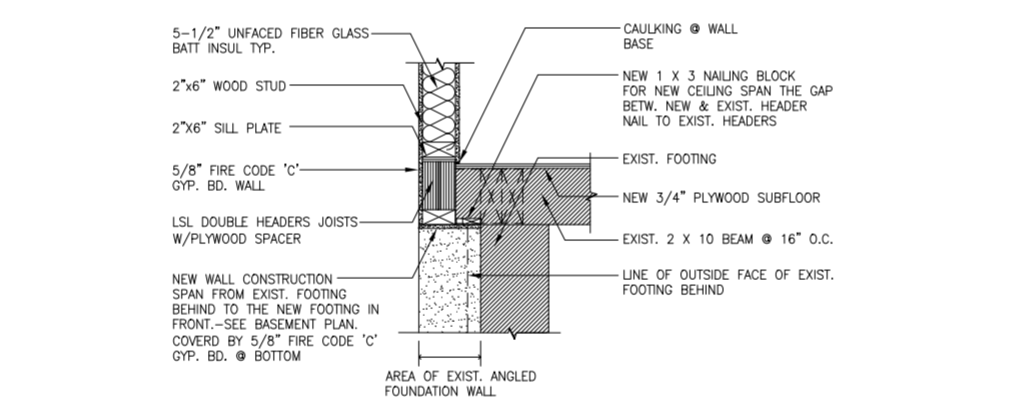
4 STAR 'B' @ BASEMENT
A-304 SCALE 1/4" = 1'-0"



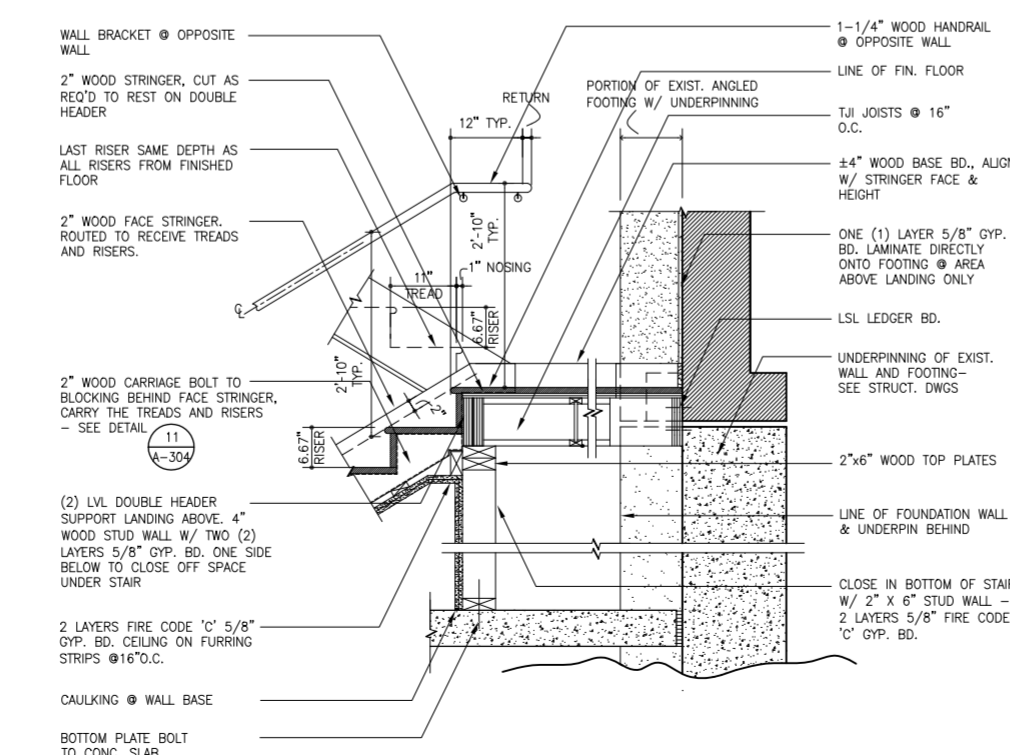
5 STAR GATE PLAN DETAIL
A-304 SCALE 1/2" = 1'-0"



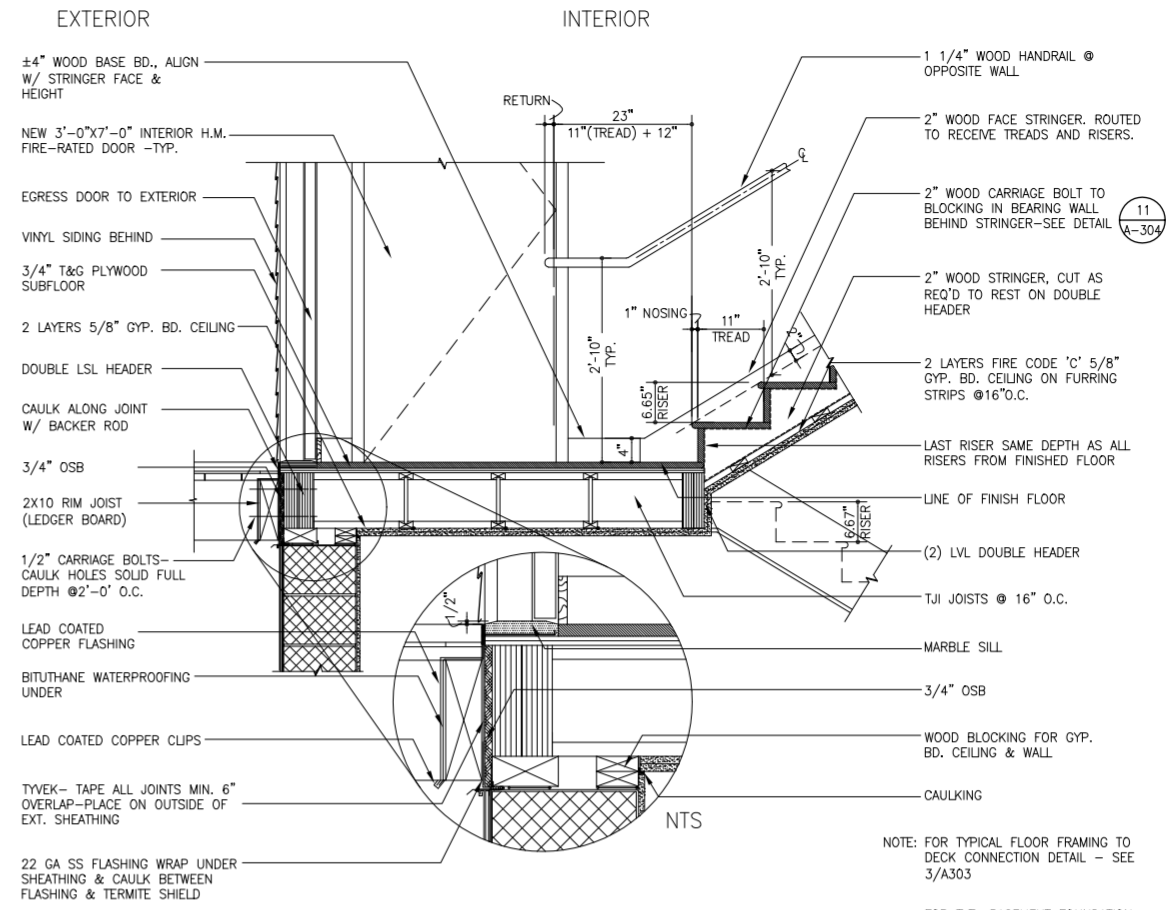
6 SECTION THRU STAR @ 1ST FLOOR LANDING
A-304 SCALE 3/4" = 1'-0"



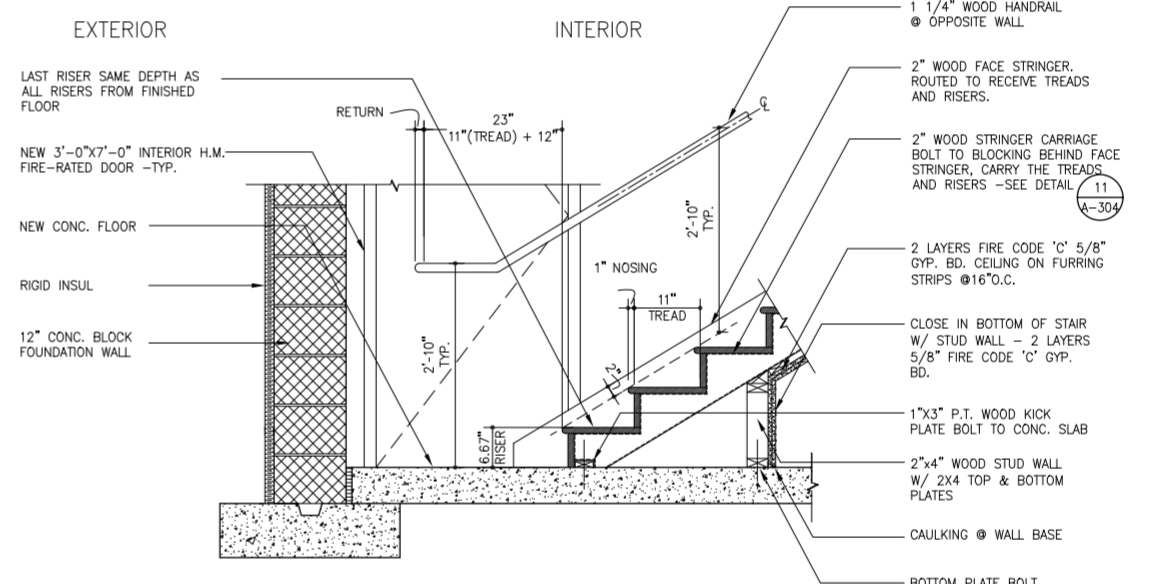
7 SECTION THRU WALL @ EXIST. & NEW FOUNDATION
A-304 SCALE 3/4" = 1'-0"



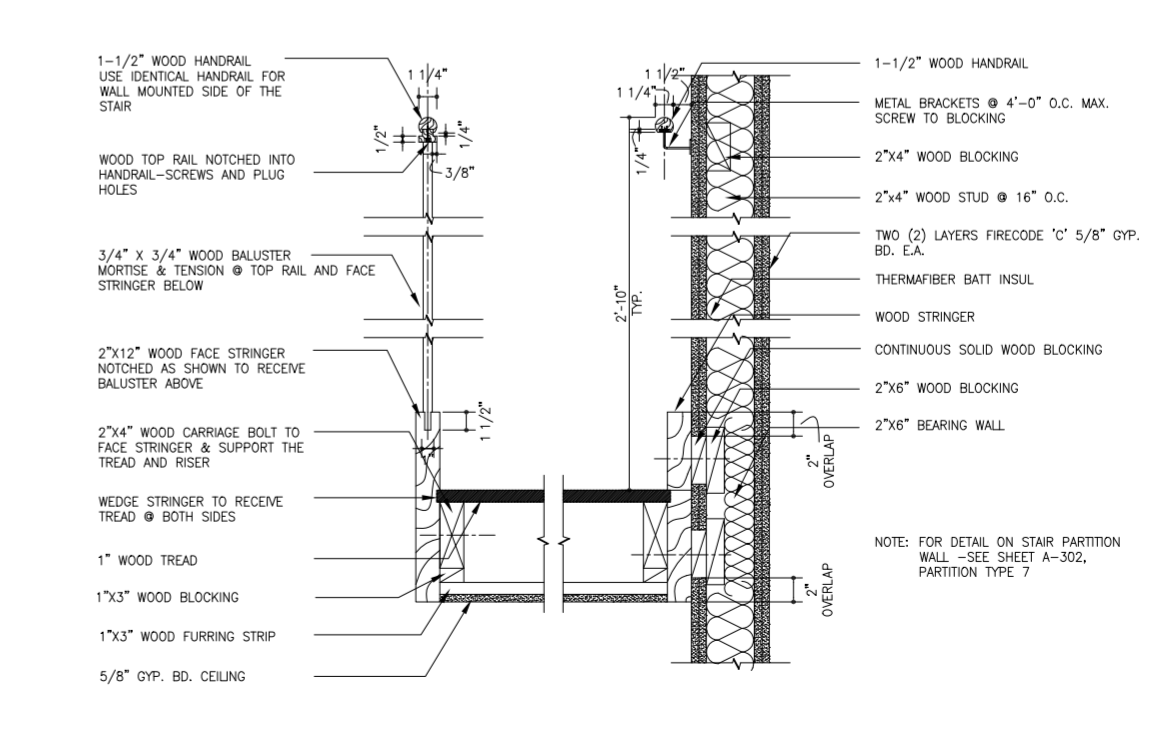
10 SECTION THRU STAR @ BASEMENT LANDING
A-304 SCALE 3/4" = 1'-0"



9 SECTION THRU LANDING & EGRESS DOOR CONNECTING TO EXTERIOR DECK
A-304 SCALE 3/4" = 1'-0"



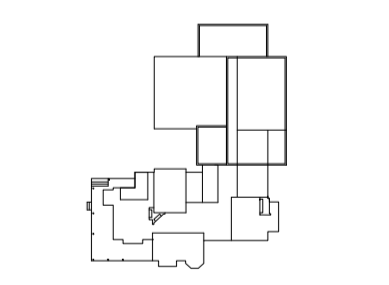
8 STAIR DETAIL @ BASEMENT
A-304 SCALE 3/4" = 1'-0"



11 CROSS SECTION THRU STAIR
A-304 SCALE 1 1/2" = 1'-0"

9/25/01	1. CHANGE THE SIZE OF THE STAIR
	2. MOVE THE WALL OF NORTH SIDE OF THE ELEVATOR TO ALIGN UP THE STAIR
	3. REARRANGE THE CORRIDOR NEAR THE RECEPTION
	4. REARRANGE FLOOR HATCH

No. Date Revision



STAR PLANS, SECTION & DETAILS

DATE OF CON. SET	REVISION
APPROVED FOR REVIEWERS: THE STATE UNIVERSITY	
KYU-JUNG WHANG, A.I.A.	Date
University Architect Name	Drawing No.
PROJECT	OFFICE OF FACILITIES DESIGN PISCATAWAY, NEW JERSEY
DRAWING TITLE	DOUGLASS ALUMNAE COTTAGE
DATE	SCALE
DATE	SCALE